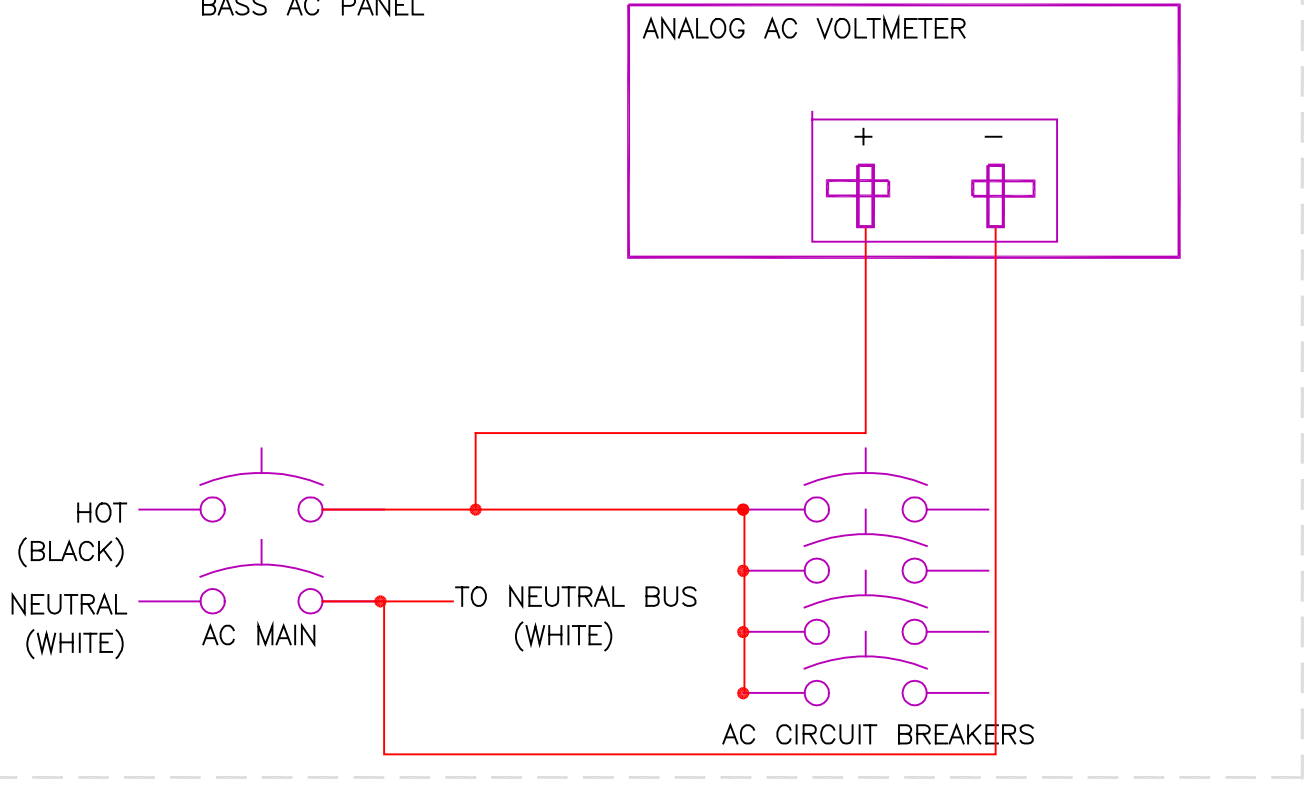


WIRING FOR 0 TO 150 VOLTS – MAXIMUM INPUT TO METER 150 VAC

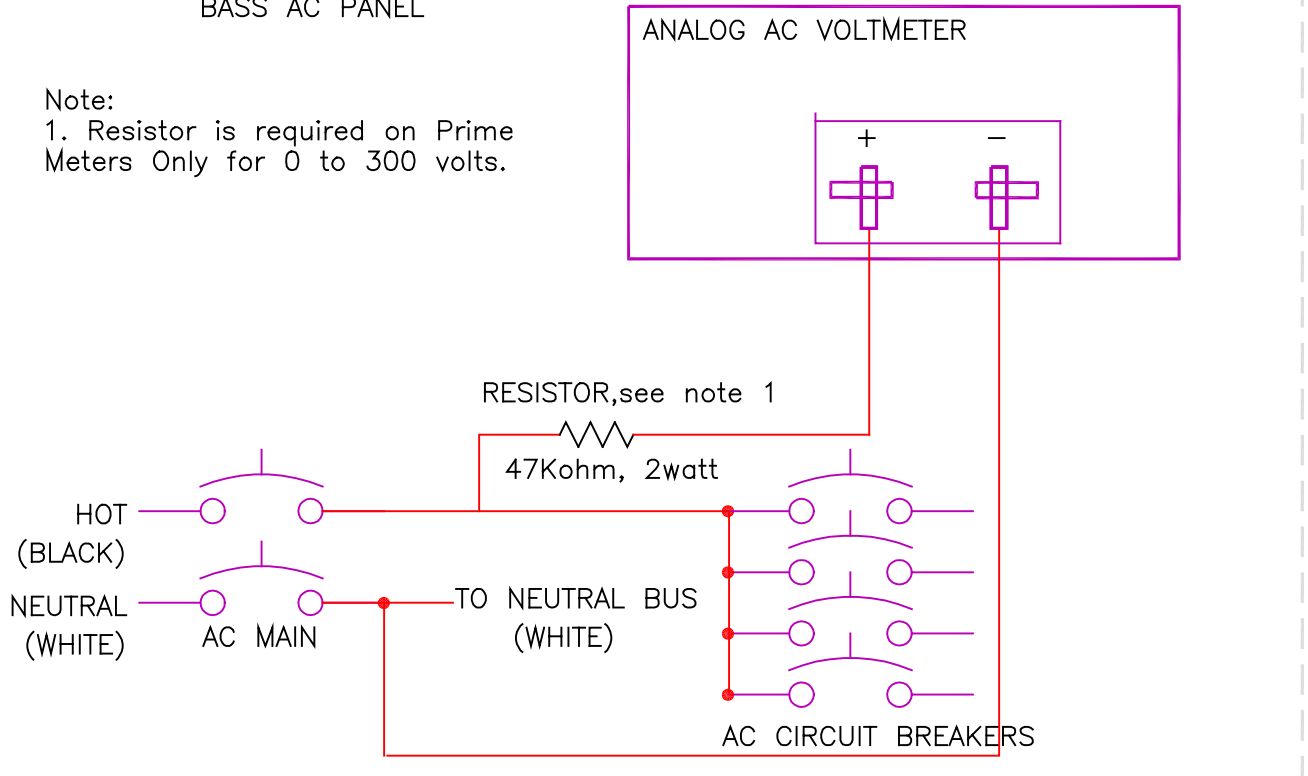
BASS AC PANEL



WIRING FOR 0 TO 300 VOLTS – MAXIMUM INPUT TO METER 300 VAC

BASS AC PANEL

Note:  
1. Resistor is required on Prime Meters Only for 0 to 300 volts.



File: AC\_AVM.dwg