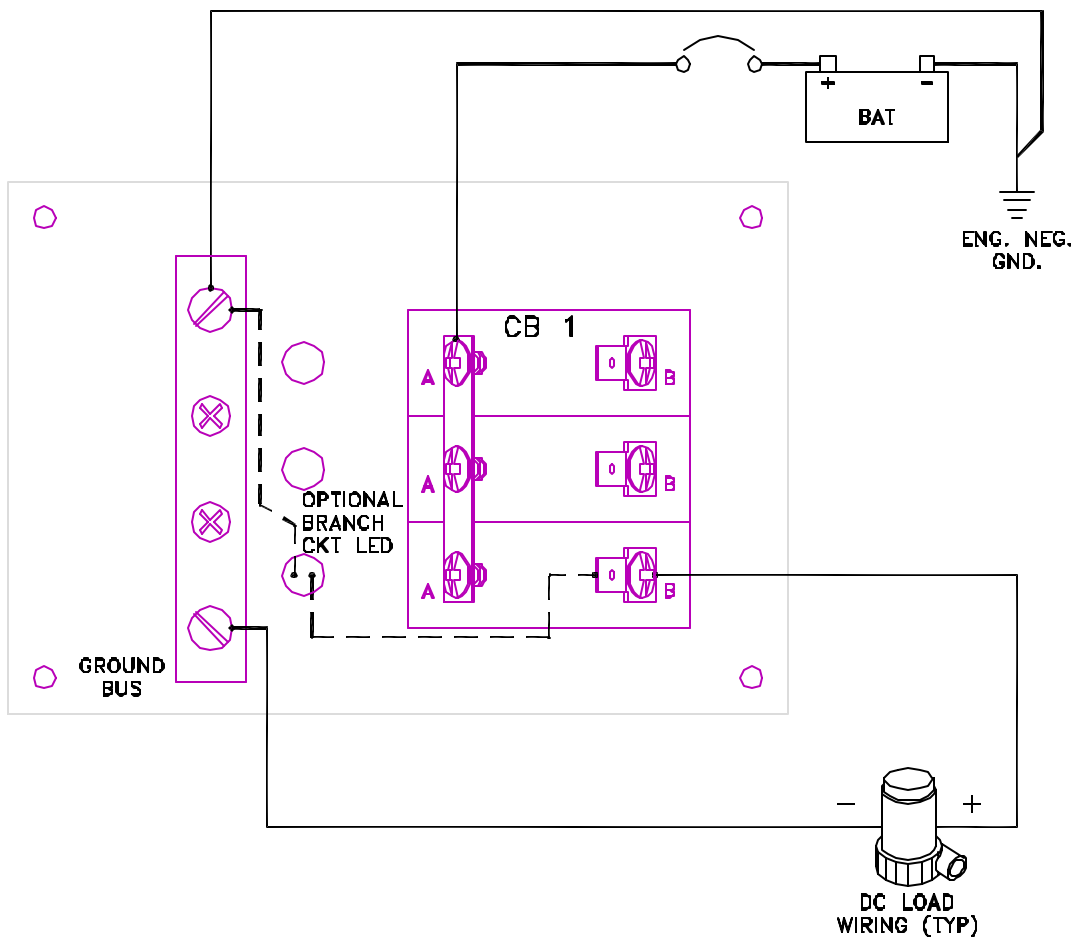
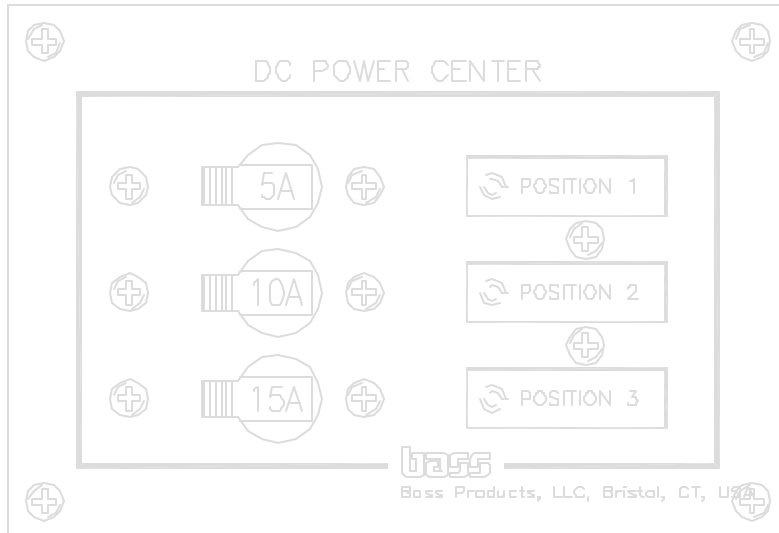


96-1075  
96-1075K (SHOWN)



File: 96-all.dwg

A	ENGINEERING RELEASE	JW	5/18/02
NO.	REVISION	BY	DATE

**bass products llc**  
435 Lake Ave., Bristol CT 06101